

CD1140 Contactless Torque Sensor



- Contactless transmission
- Keyed Shaft couplings
- Range from ± 0.05 to $\pm 20,000$ Nm (± 0.04 to $\pm 16,000$ lbf.ft)
- Stainless Steel or Aluminum
- Built In Amplifier

DESCRIPTION

The CD 1140 family of torque sensors offers a rugged but small package size as well as many mounting configurations so as to provide excellent measurements in both industrial and laboratory environments. The contactless transmission of supply voltage and measuring signal facilitates continuous operation with low wear and no slip ring service. The CD1140 is also available with optional speed or angle detection (but not both).

With many years of experience as a designer and manufacturer of sensors, Measurement Specialties often works with customers to design or customize sensors for specific uses and testing environments.

To meet your needs we also offer complete turnkey systems. The matched components (sensor, power, amplifier and digital display) are formatted, calibrated and ready for immediate use.

FEATURES

- High Accuracy
- Built-in Amplifier
- Low Moment of Inertia
- Small Outline
- Speed and Angle Detection (Option)

APPLICATIONS

- Dynamic applications
- Process control equipment
- Test and Measurement
- Robotics and effectors
- Laboratory and Research

STANDARD RANGES

Model	CD1140-1	CD1140-1a	CD1140-1b	CD1140-2	CD1140-3	CD1140-6	CD1140-7	CD1140-8
F.S. in Nm	0.05 - 0.1 0.2 - 0.5	1 - 2	5 - 10	20 - 50	100 - 150 200 - 300	500 - 1k 1.5k	2k - 3k 4k - 5k	10k - 15k 20k
F.S. in lbf.ft	0.04 - 0.08 0.16 - 0.4	0.8 - 1.6	4 - 8-	16 - 40	80 - 120 160 - 240	400 - 800 1.2k	1,6k - 2,4k 3.2k - 4k	8k - 12k - 16k
RPM max.	37000	37000	26000	19000	13500	7900	6300	4000

CD1140 Contactless Torque Sensor

PERFORMANCE SPECIFICATIONS

Ambient Temperature: 20±1° C (unless otherwise specified)

Parameters	
Operating Temperature Range (OTR)	0 to 60° C (32 to 140° F)
Compensated Temperature Range (CTR)	5 to 45° C (41 to 113° F)
Zero Shift in CTR	0.02% F.S. / ° C (0.01% of F.S. / ° F)
Sensitivity Shift in CTR	0.01%/ ° C of reading (0.005% / °F of reading)
Range (F.S.)	±0.05 Nm to ±20 kNm [±0.04 lbf.ft to ±16 klbf.ft]
Over-Range	
Without Damage	2 x F.S.
Accuracy	
Linearity	0.1% F.S.
Hysteresis	0.1% F.S.

Electrical Characteristics

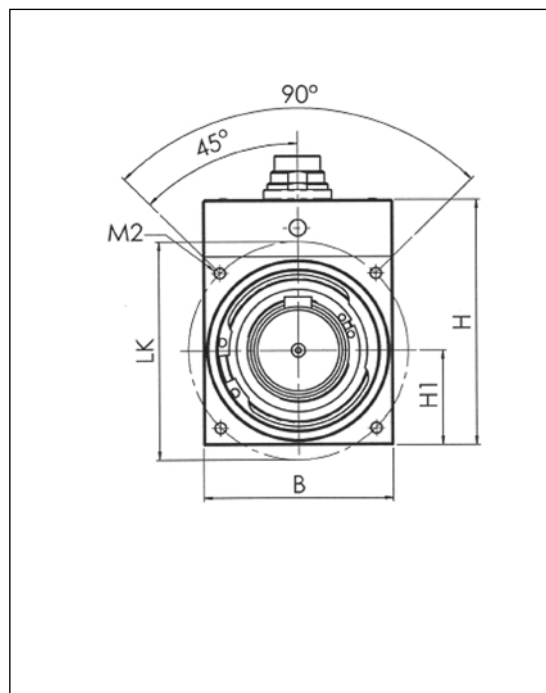
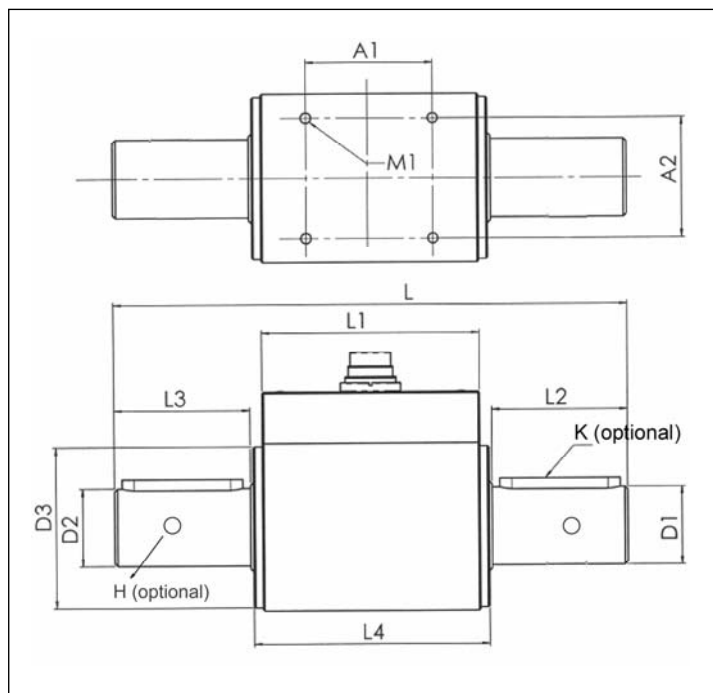
Model	CD1140
Supply Voltage	12Vdc±10%
Signal at F.S	±10V
Consumption	<200mA

Notes

1. Electrical Termination: 6 pin connector (12 pin connector with optional speed or angle detection)

CD1140 Contactless Torque Sensor

DIMENSIONS & WIRING SCHEMATIC (IN METRIC AND IMPERIAL)



Dimensions in mm [inch]

Model	CD1140-1	CD1140-1a	CD1140-1b	CD1140-2	CD1140-3	CD1140-6	CD1140-7	CD1140-8
F.S. in Nm [lbf.ft]	0.05-0.1-0.2-0.5 [0.04-0.08-0.16-0.4]	1 - 2 [0.8 - 1.6]	5 - 10 [4 - 8]	20 - 50 [16 - 40]	100-150-200-300 [80-120-160-240]	500-1000-1500 [400-800-1200]	[1600-2400 3200-4000] ⁽¹⁾	[8000-12000 16000] ⁽²⁾
L	89 [3.5]	95 [3.74]	110 [4.33]	145 [5.71]	170 [6.69]	270 [10.63]	320 [12.6]	355 [13.98]
B	28 [1.1]	28 [1.1]	36 [1.42]	42 [1.65]	56 [2.2]	88 [3.46]	105 [4.13]	160 [6.3]
H	48,5 [1.91]	48,5 [1.91]	54 [2.13]	58 [2.28]	73 [2.87]	104 [4.09]	121 [4.76]	176 [6.93]
H1	14 [0.55]	14 [0.55]	18 [0.71]	21 [0.83]	28 [1.1]	44 [1.73]	52.5 [2.07]	80 [3.15]
Ø D1	8 [0.31]	8 [0.31]	10 [0.39]	15 [0.59]	26 [1.02]	45 [1.77]	70 [2.76]	110 [4.33]
Ø D2	5 [0.2]	6 [0.24]	10 [0.39]	15 [0.59]	26 [1.02]	45 [1.77]	70 [2.76]	110 [4.33]
Ø D3	27 [1.06]	27 [1.06]	32 [1.26]	38 [1.5]	54 [2.13]	80 [3.15]	-	-
H (optional)	Ø2 H7	Ø2.5 H7	-	-	-	-	-	-
Ø LK	32 [1.26]	32 [1.26]	38 [1.5]	46 [1.81]	65 [2.56]	98 [3.86]	-	-
L1	62 [2.44]	62 [2.44]	68 [2.68]	79 [3.11]	72 [2.83]	84 [3.31]	95 [3.74]	115 [4.53]
L2	10 [0.39]	14 [0.55]	18 [0.71]	30 [1.18]	45 [1.77]	85 [3.35]	110 [4.33]	115 [4.53]
L3	11 [0.43]	14 [0.55]	18 [0.71]	30 [1.18]	45 [1.77]	85 [3.35]	110 [4.33]	115 [4.53]
L4	66 [2.6]	66 [2.6]	72 [2.83]	83 [3.27]	78 [3.07]	90 [3.54]	-	-
A1	40 [1.57]	40 [1.57]	56 [2.2]	60 [2.36]	42 [1.65]	46 [1.81]	75 [2.95]	85 [3.35]
A2	22 [0.87]	22 [0.87]	24 [0.94]	32 [1.26]	40 [1.57]	70 [2.76]	85 [3.35]	130 [5.12]
M1	M3x5	M3x5	M3x6	M3x6	M4x8	M6x12	M8x16	M10x20
M2	M3x6	M3x6	M3x6	M3x6	M4x8	M6x12	-	-
K (optional)	-	-	2xA3x3x14	2xA5x5x25	2xA8x7x40	4xA14x9x80	-	-
Weight [g]	170	170	340	600	1,300	4,500	11,500	31,000
RPM max.	37,000	37,000	26,000	19,000	13,500	7,900	6,300	4,000

⁽¹⁾ 2000; 3000; 4000; 5000 Nm

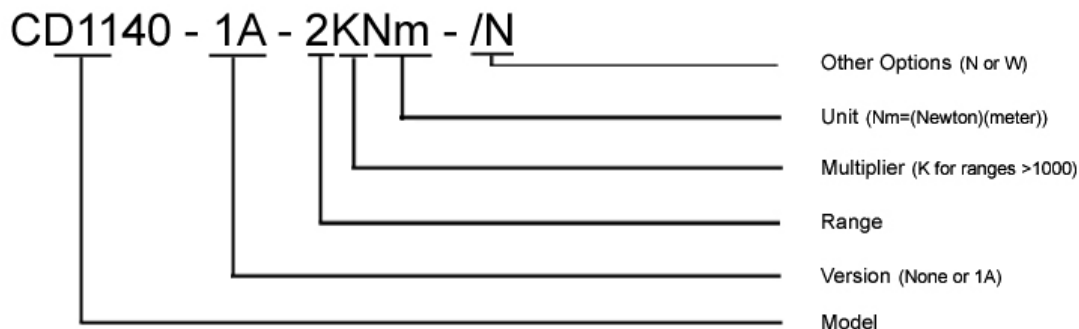
⁽²⁾ 10000; 15000; 20000 Nm

CD1140 Contactless Torque Sensor

OPTIONS

H: Cross Holes on Shaft Ends (see table on page 3/4)
K: Torque meter with Keyed Shafts (see table on page 3/4)
N: Speed Detection (Notes: Rev. Max: 10,000rpm; Pulses/Rev.: 60)
W: Angle Detection (Notes: Rev. Max: 3000rpm; Pulses/Rev.: 360; Resolution: 1°; Phase shift: 90°)

ORDERING INFO



NORTH AMERICA

Measurement Specialties Inc.
1000 Lucas Way
Hampton, VA 23666
USA
Tel: 1-757-766-1500
Fax: 1-757-766-4297
Sales: pvg.cs.amer@meas-spec.com

EUROPE

Measurement Specialties
(Europe), Ltd.
26 Rue des Dames
78340 Les Clayes-Sous-Bois,
France
Tel: +33 (0) 130 79 33 00
Fax: +33 (0) 134 81 03 59
Sales: pfg.cs.emea@meas-spec.com

ASIA

北京赛斯维测控技术有限公司
北京市朝阳区望京西路48号
金隅国际C1002
电话: +86 010 8477 5646
传真: +86 010 5894 9029
邮箱: sales@sensorway.cn
<http://www.sensorway.cn>

The information in this sheet has been carefully reviewed and is believed to be accurate; however, no responsibility is assumed for inaccuracies. Furthermore, this information does not convey to the purchaser of such devices any license under the patent rights to the manufacturer. Measurement Specialties, Inc. reserves the right to make changes without further notice to any product herein. Measurement Specialties, Inc. makes no warranty, representation or guarantee regarding the suitability of its product for any particular purpose, nor does Measurement Specialties, Inc. assume any liability arising out of the application or use of any product or circuit and specifically disclaims any and all liability, including without limitation consequential or incidental damages. Typical parameters can and do vary in different applications. All operating parameters must be validated for each customer application by customer's technical experts. Measurement Specialties, Inc. does not convey any license under its patent rights nor the rights of others.