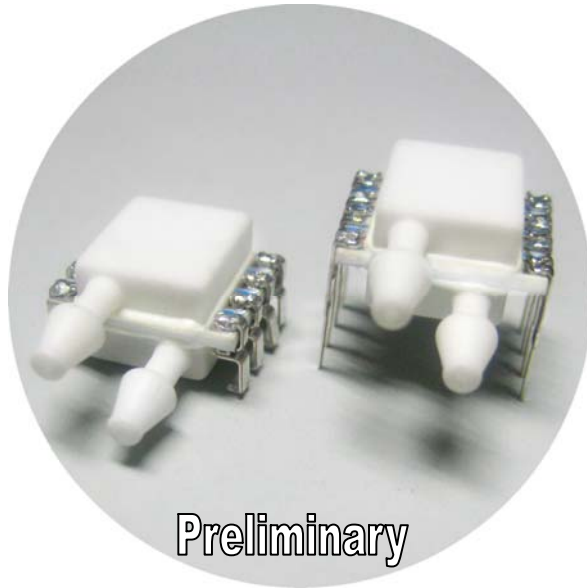


4525



- PCB Mounted Pressure Transducers
- Amplified Ratiometric Analog Output
- Differential, Gauge, Absolute & Compound
- Temperature Compensated
- 3.3 or 5.0 Vdc Supply Voltage

DESCRIPTION

The 4525 is a small, ceramic based, PCB mounted pressure transducer from Measurement Specialties. The transducer is built using Measurement Specialties' proprietary UltraStable™ process and the latest CMOS sensor conditioning circuitry to create a low cost, high performance transducer designed to meet the strictest requirements from OEM customers.

The 4525 is fully calibrated and temperature compensated with a total error band (TEB) of less than 1.0% over the compensated range. The sensor operates from single supply of either 3.3 or 5.0Vdc.

The rugged ceramic transducer is available in side port and top port version and can measure absolute, gauge, differential, or compound pressure from 1 to 150 psi. The 1/8" barbed pressure ports mate securely with 3/32" ID tubing.

FEATURES

- PSI Pressure Ranges
- PCB Mountable
- High Level Analog Output
- Barbed Pressure Ports

APPLICATIONS

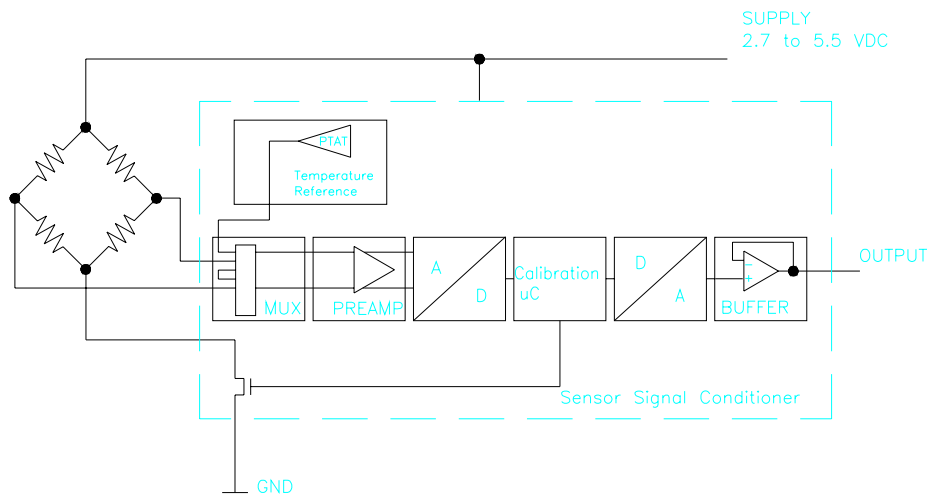
- Factory Automation
- Altitude and Airspeed Measurements
- Medical Instruments
- Leak Detection

STANDARD RANGES (PSI)

Pressure	Absolute	Gauge	Differential	Compound
1		DS, SS, TP	DS, SS, TP	SS, TP
5		DS, SS, TP	DS, SS, TP	SS, TP
15	SS, TP	DS, SS, TP	DS	SS, TP
30	SS, TP	DS, SS, TP	DS	SS, TP
50	SS, TP	DS, SS, TP	DS	SS, TP
100	SS, TP	DS, SS, TP	DS	SS, TP
150	SS, TP	DS, SS, TP	DS	SS, TP

See Package Configurations: DS= Dual Side Port, SS=Single Side Port, TP = Top Port

BLOCK DIAGRAM



APPLICATION SCHEMATIC

ABSOLUTE MAXIMUM RATINGS

Parameter	Conditions	Min	Max	Unit	Notes
Supply Voltage	$T_A = 25^\circ\text{C}$	2.7	5.7	V	
Output Current	$T_A = 25^\circ\text{C}$		3	mA	
Storage Temperature		-40	+125	$^\circ\text{C}$	
Humidity	$T_A = 25^\circ\text{C}$		95	%RH	Non Condensing
Overpressure	$T_A = 25^\circ\text{C}$, both Ports		300	psi	
Burst Pressure	$T_A = 25^\circ\text{C}$, Port 2		3X	Range	
ESD	HBM	-4	+4	kV	
Solder Temperature		250 $^\circ\text{C}$, 5 sec max.			

ENVIRONMENTAL SPECIFICATIONS

Parameter	Conditions
Mechanical Vibration	Mil Spec 202F, Method 213B, Condition C, 3 Drops
Mechanical Shock	Mil Spec 202F, Method 214A, Condition 1E, 1Hr Each Axis
Thermal Shock	100 Cycles over Storage Temperature, 30 minute dwell
Life	1 Million FS Cycles

PERFORMANCE SPECIFICATIONS

Supply Voltage ¹ : 5.0V or 3.3 Vdc

Reference Temperature: 25°C (unless otherwise specified)

PARAMETERS	MIN	TYP	MAX	UNITS	NOTES
Accuracy	-0.25		0.25	%Span	2
Total Error Band (TEB)	-1.0		1.0	%Span	3,5
Supply Current		3		mA	
Compensated Temperature	-10		+85	°C	4
Operating Temperature	-25		+105	°C	
Response Time		1		mS	5
Weight		3		grams	
Media	Non-Corrosive Dry Gases Compatible with Silicon, Pyrex, RTV, Gold, Ceramic, Nickel, and Aluminum				

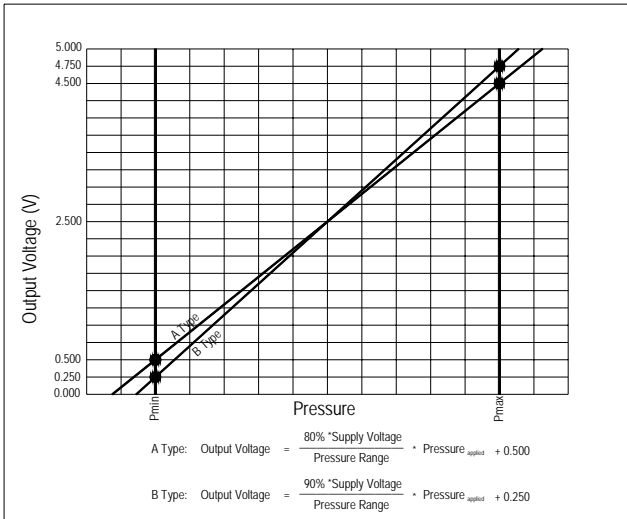
Notes

1. Output is ratiometric to supply voltage.
2. The maximum deviation from a best fit straight line (BFSL) fitted to the output measured over the pressure range at 25C. Includes all errors due to pressure non linearity, hysteresis, and non repeatability.
3. Total error band includes all accuracy errors, thermal errors over the compensated temperature range, and span and offset calibration tolerances. . For ideal sensor output with respect to input pressure, reference Pressure Transfer Function charts below.
4. For errors beyond the compensated temperature range, see Temperature Error Multiplier chart below.
5. This product can be configured for custom OEM requirements, contact factory for lower power consumption or higher accuracy.

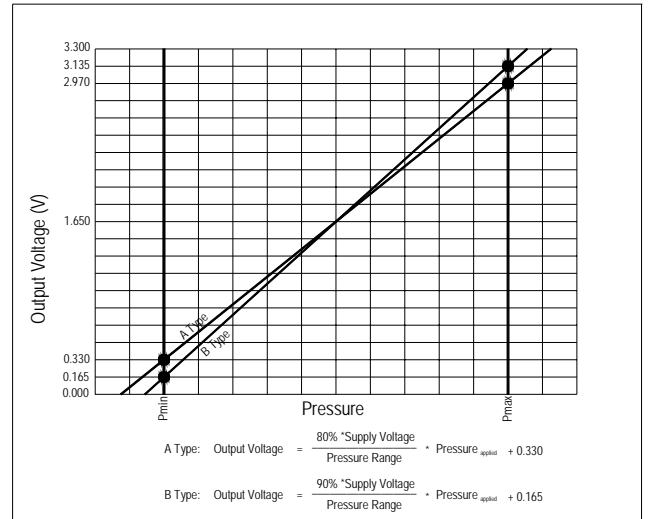
4525

Pressure Transfer Function Chart

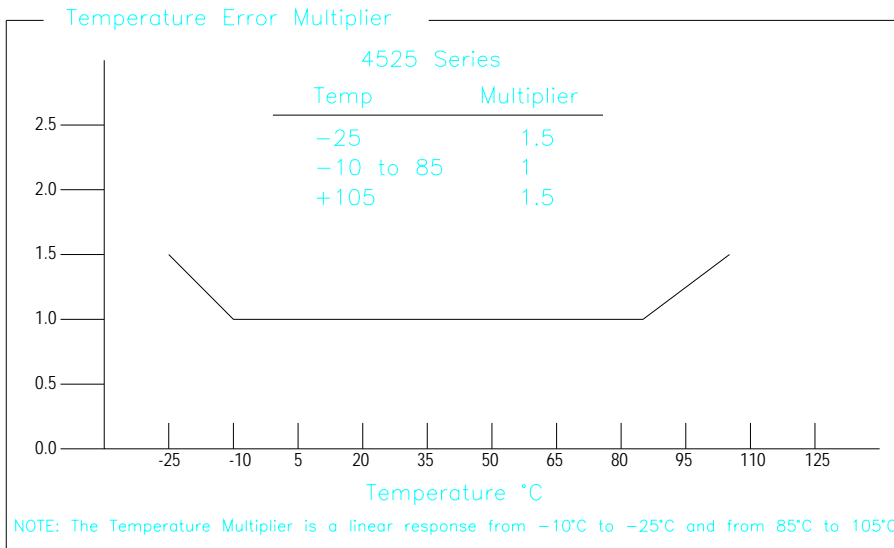
Pressure Transfer Functions, Supply=5V



Pressure Transfer Functions, Supply=3.3V

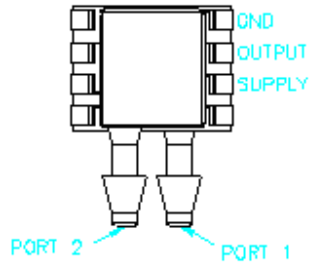


Temperature Error Multiplier Chart

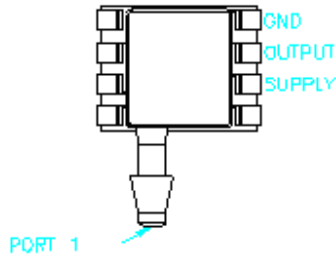


4525

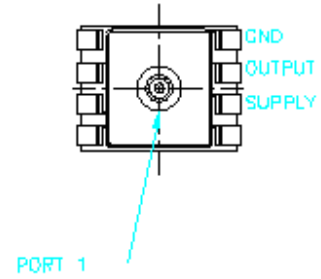
PACKAGE, PINOUT, AND PRESSURE TYPE CONFIGURATION



MODEL 4525-DSVZ-XXXYP



MODEL 4525-SSVZ-XXXYP



MODEL 4525-TPVZ-XXXYP

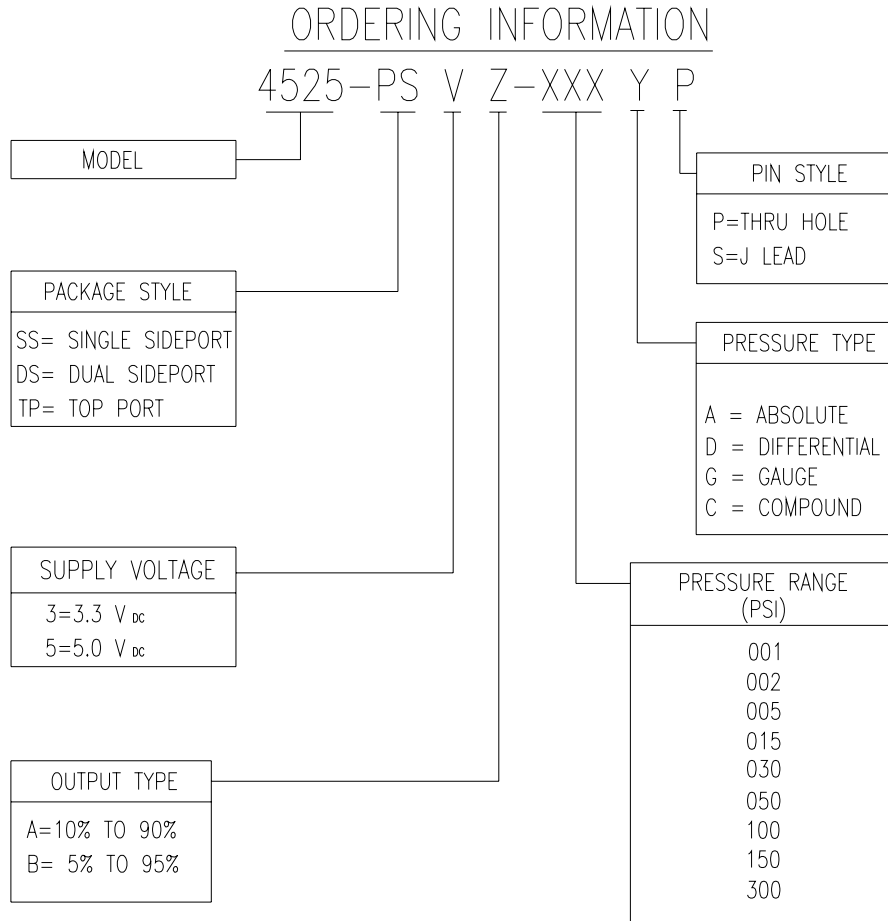
Pin Name	Pin	Function
SUPPLY	2	Positive Supply Voltage
OUTPUT	3	Analog Output
GND	4	Ground

Pressure Type	Pmin	Pmax	Description
Absolute	0psiA	+Prange	Output is proportional to the difference between 0psiA (Pmin) and pressure applied to Port 1.
Differential	-Prange	+Prange	Output is proportional to the difference between Port 1 and Port 2. Output swings positive when Port 1 > Port 2. Output is 50% of supply voltage when Port 1=Port 2.
Gauge	0psiG	+Prange	Output is proportional to the difference between 0psiG (Pmin) and Port 1. Output swings positive when Port 1 > Port 2.
Compound	-15psiG	+Prange	Output is proportional to the difference between -15psiG pressure (Pmin) and pressure applied to Port 1.

Prange is equal to the maximum full scale pressure specified in the ordering information.

4525

ORDERING INFORMATION

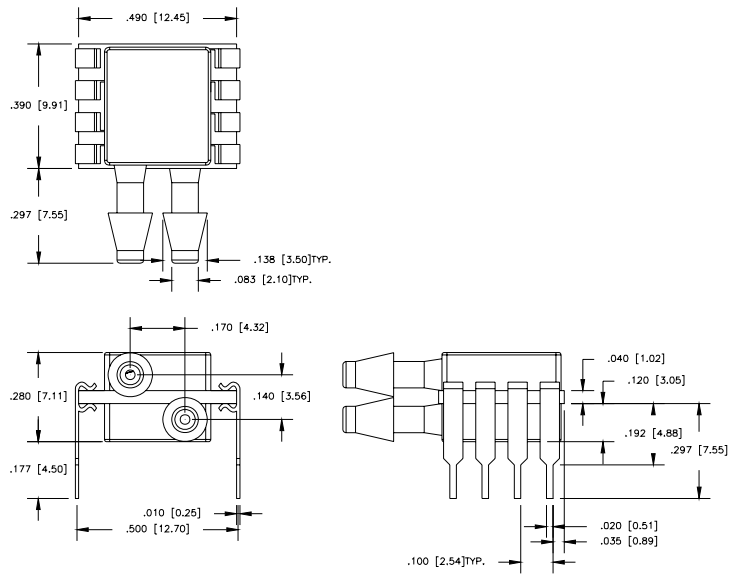


4525

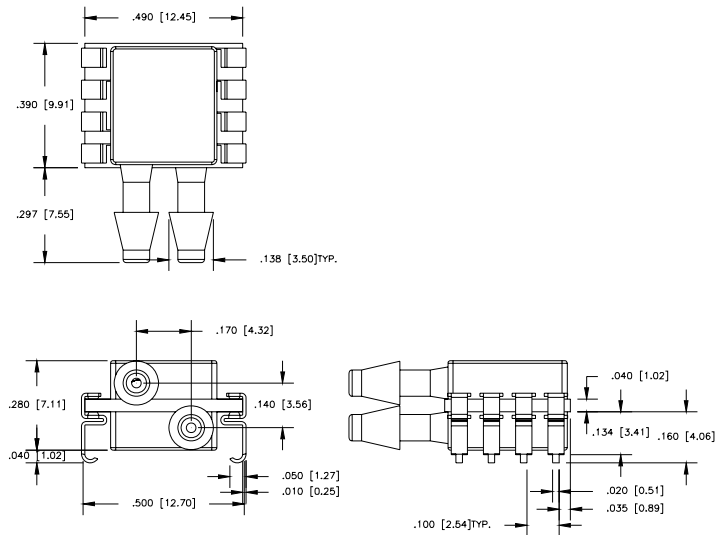
DIMENSIONS

DIMENSIONS ARE IN INCHES [mm]

Model 4525-DSVZ-XXXYP



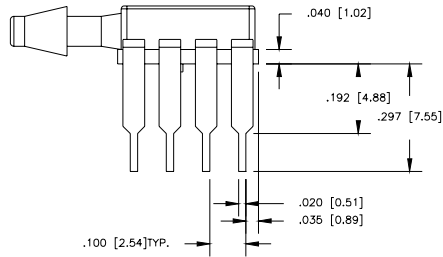
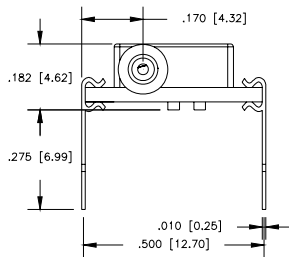
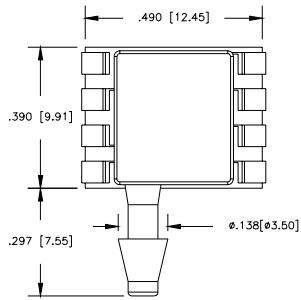
Model 4525-DSVZ-XXXYS



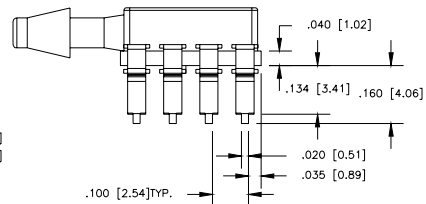
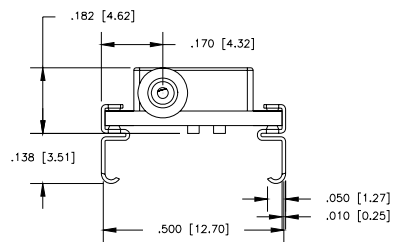
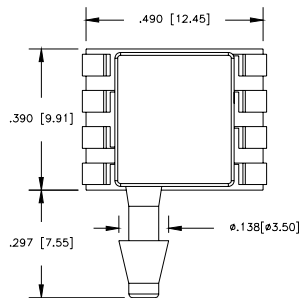
4525

DIMENSIONS ARE IN INCHES [mm]

Model 4525-SSVZ-XXXYP

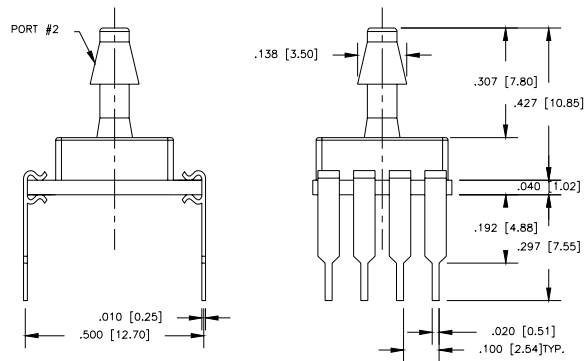
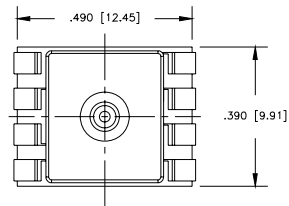


Model 4525-SSVZ-XXXYS

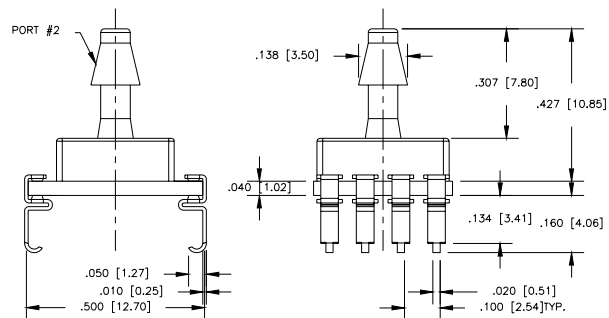
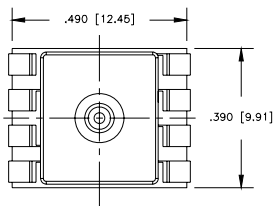


4525

DIMENSIONS ARE IN INCHES [mm]
Model 4525-TPVZ-XXXYP



Model 4525-TPVZ-XXXYS



NORTH AMERICA

Measurement Specialties
45738 Northport Loop West
Fremont, CA 94538
Tel: 1-800-767-1888
Fax: 1-510-498-1578
Sales: pfg.cs.amer@meas-spec.com

EUROPE

Measurement Specialties
(Europe), Ltd.
26 Rue des Dames
78340 Les Clayes-sous-Bois, France
Tel: +33 (0) 130 79 33 00
Fax: +33 (0) 134 81 03 59
Sales: pfg.cs.emea@meas-spec.com

ASIA

北京赛斯维测控技术有限公司
北京市朝阳区望京西路48号
金隅国际C座1002
电话：+86 010 8477 5646
传真：+86 010 5894 9029
邮箱：sales@sensorway.cn
<http://www.sensorway.cn>

The information in this sheet has been carefully reviewed and is believed to be accurate; however, no responsibility is assumed for inaccuracies. Furthermore, this information does not convey to the purchaser of such devices any license under the patent rights to the manufacturer. Measurement Specialties, Inc. reserves the right to make changes without further notice to any product herein. Measurement Specialties, Inc. makes no warranty, representation or guarantee regarding the suitability of its product for any particular purpose, nor does Measurement Specialties, Inc. assume any liability arising out of the application or use of any product or circuit and specifically disclaims any and all liability, including without limitation consequential or incidental damages. Typical parameters can and do vary in different applications. All operating parameters must be validated for each customer application by customer's technical experts. Measurement Specialties, Inc. does not convey any license under its patent rights nor the rights of others.