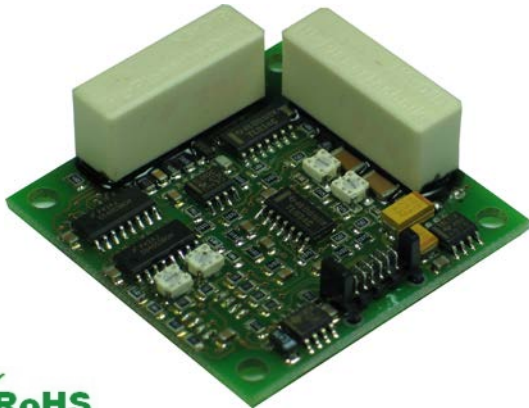


E2-Series Inclinometer



- Dual axis inclinometer
- Measurement range $\pm 5^\circ$, $\pm 10^\circ$, $\pm 15^\circ$ and $\pm 45^\circ$
- Analogue voltage output signal
- OEM module

DESCRIPTION

The **E2- series** is a biaxial inclination sensor as a pcb module for OEM use with measurement range $\pm 5^\circ$, $\pm 10^\circ$, $\pm 15^\circ$ and $\pm 45^\circ$. It consist of two basic inclination sensor cells based on a conductance measurement principle and their complete electronic biasing and readout, which is carefully designed in order to minimize drift and temperature effects.

FEATURES

- High resolution
- Analogue voltage output signal
- Easy for mounting
- PCB level
- Fast response time
- Low drift sensitivity
- Low noise level

APPLICATIONS

- Road construction machines
- Vehicle applications
- Building control
- Mobile and stationary cranes
- Hydraulic leveling
- Platform leveling
- Drilling machines

E2-Series Inclinometer

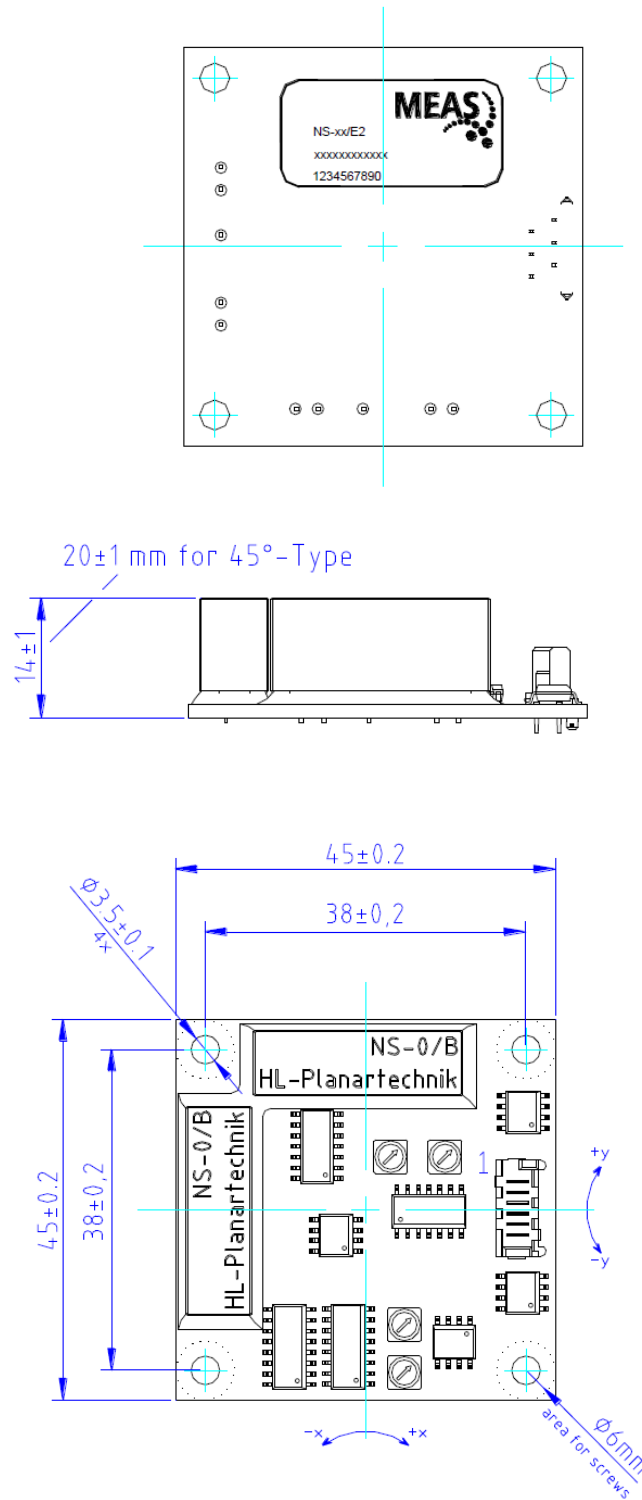
PERFORMANCE SPECIFICATIONS

	Conditions	Min	Type	Max	Unit
Measurement range (1)		-5 /-10/ -15/ -45		+5/ +10/ +15/ +45	°
Resolution (2)		0.001		0.01	°
Accuracy (3)	Ta = 0°...70°C,	0.08 / 0.11 / 0.15 / 0.9			°
Non-linearity		1.5			%[FS]
Cross sensitivity		0.15			%[FS]
Voltage output signal(4)	5°,15° unit	-2		+2	V
Voltage output signal(4)	5°,15° unit	0.5		4.5	V
Voltage output signal(4)	10°,45°unit	-2.2		+2.2	V
Voltage output signal(4)	10°, 45°unit	0.3		4.7	V
Current consumption		9			mA
Power supply		+12		+24	VDC
Operation temperature range		0		+70	°C
Storage temperature range		-40		+85	°C
Weight		20			g
Dimensions (5)	W x D x H	45 x 45 x 14(20)			mm

- (1) Measurement ranges +/-5°, +/-10°, +/-15°, +/-45° available
 (2),(3) Depend on measurement range
 (4) Depending on the circuitry wiring, see pinning schema
 (5) Dimensions 45 x 45 x 20 mm , valid for the NS-45/E2

E2-Series Inclinometer

DIMENSIONS [MM]

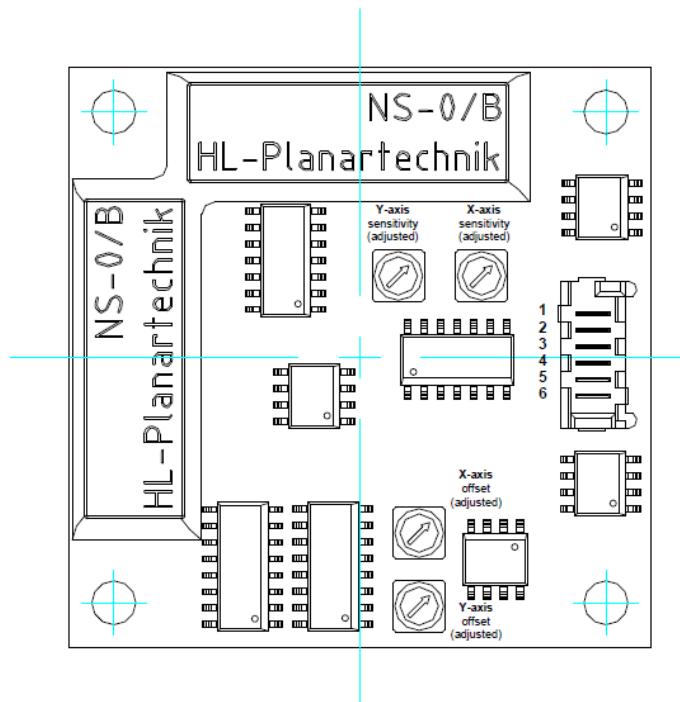


E2-Series Inclinometer

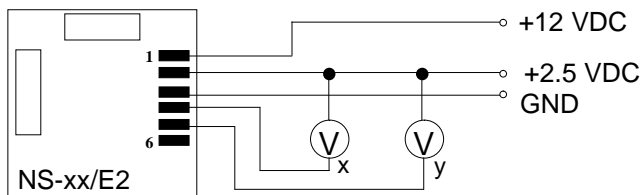
PINNING

Pin	Name	Description	Type
1	Vcc	Positive power supply +12...+24VDC	Supply, Input
2	Vref	Reference potential +2.5VDC, S-GND ⁽¹⁾	Supply, Input
3	GND	Ground, negative supply voltage ⁽²⁾	Supply, Input
4	Out X	Output voltage signal X axis	Output
5	Out Y	Output voltage signal Y axis	Output
6	n.c.	n.c.	-

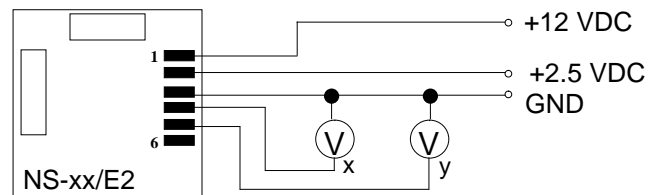
- (1) If output signal will be used of +/- 2 V (unit: 5°,15°) alternatively +/-2.2 V (unit: 10°,45°)
 (2) If output signal will be used of 0.5...4.5 V (unit: 5°,15°) alternatively 0.3...4.7 V (unit: 10°,45°)



Pinning Vout x,y in reference to Vref.: +2.5VDC



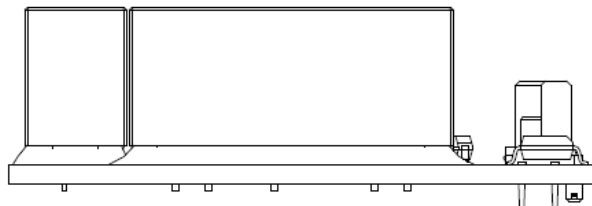
Pinning Vout x,y in reference to GND



All connecting configurations need the Vref: +2.5 VDC power supply signal.

E2-Series Inclinometer

MOUNTING



This kind of unit is for horizontal mounting suitable only.

ORDERING INFORMATION

PART NUMBERING	UNIT	SHORT DESCRIPTION
G-NSE2-003	NS- 5/E2	dual axis, +/- 5° angle, Vcc: +12...24VDC, output V
G-NSE2-004	NS-10/E2	dual axis, +/-10° angle, Vcc: +12...24VDC, output V
G-NSE2-010	NS-15/E2	dual axis, +/-15° angle, Vcc: +12...24VDC, output V
G-NSE2-020	NS-45/E2	dual axis, +/-45° angle, Vcc: +12...24VDC, output V
G-NSMIS-014	Connector, cable	6- pin Molex-Connector with 20cm ribbon cable

NORTH AMERICA	EUROPE	ASIA
Measurement Specialties, Inc. 1000 Lucas Way Hampton, VA 23666 United States Phone: +1-800-745-8008 Fax: +1-757-766-4297	MEAS Deutschland GmbH Hauert 13 D-44227 Dortmund Germany Phone: +49-(0)231-9740-0 Fax: +49-(0)231-9740-20	北京赛斯维测控技术有限公司 北京市朝阳区望京西路48号 金隅国际D座302 电话 : + 86 010 8477 5646 传真 : + 86 010 5894 9029 邮箱 : sales@sensorway.cn http://www.sensorway.cn

The information in this sheet has been carefully reviewed and is believed to be accurate; however, no responsibility is assumed for inaccuracies. Furthermore, this information does not convey to the purchaser of such devices any license under the patent rights to the manufacturer. Measurement Specialties, Inc. reserves the right to make changes without further notice to any product herein. Measurement Specialties, Inc. makes no warranty, representation or guarantee regarding the suitability of its product for any particular purpose, nor does Measurement Specialties, Inc. assume any liability arising out of the application or use of any product or circuit and specifically disclaims any and all liability, including without limitation consequential or incidental damages. Typical parameters can and do vary in different applications. All operating parameters must be validated for each customer application by customer's technical experts. Measurement Specialties, Inc. does not convey any license under its patent rights nor the rights of others.